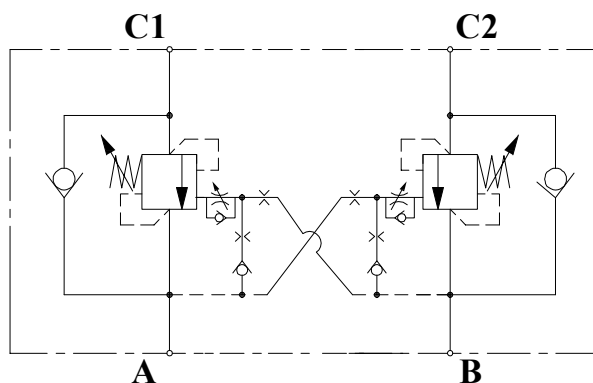


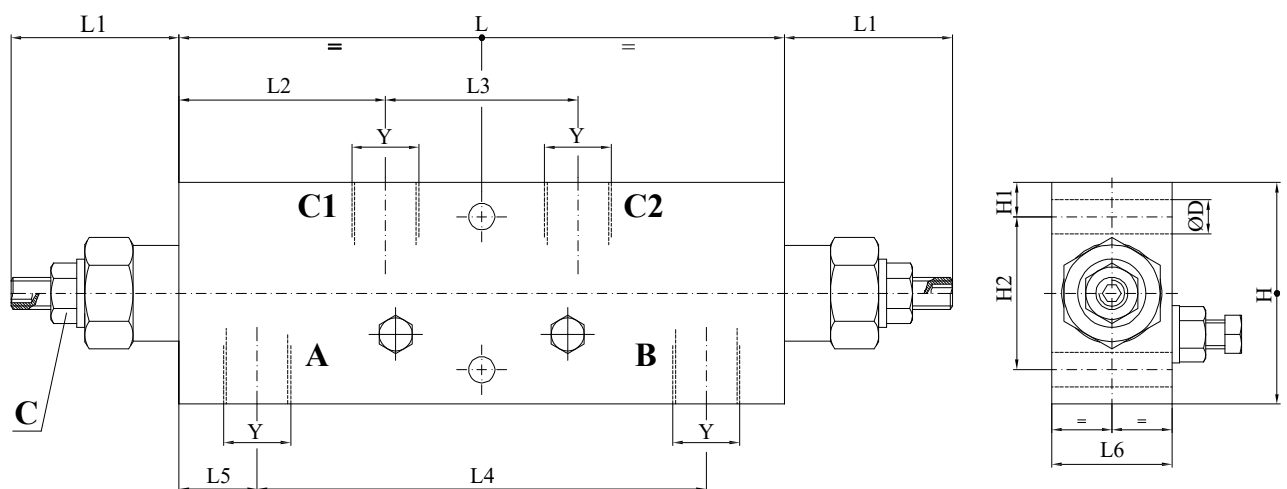
机能符号/Functional Symbol



技术参数/Technical Data

- Matching directional valve neutral function A.B-T.
建议应用Y型中位机能的换向阀
- Operating temperature: +40°C~+70°C
工作温度: +40°C~+70°C
- Working medium: ISO VG 10 to 68 according to DIN ISO 3448
工作介质: 符合DIN ISO 3448标准, 范围在ISO VG 10 to 68
- Material: Steel, zinc-plated
阀体材质: 镀锌钢体
For other materials, please consult
如需其他材质请咨询
- Sealing Material: Nitrile Rubber
密封材质: 丁腈橡胶

主要尺寸/Dimension



151	~42	51.5	48	112	19.5	40	65	11	43	HEX13	Ø8.5	G1/2	2.1Kg
L	L1	L2	L3	L4	L5	L6	H	H1	H2	C	D	Y	重量 Weight