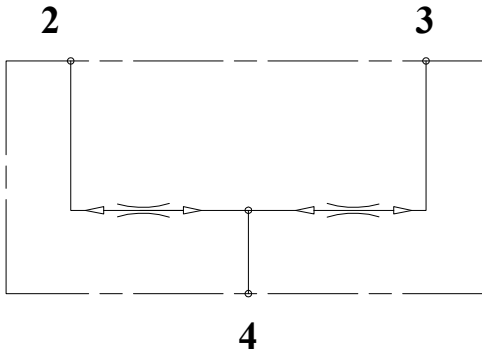


机能符号/Functional Symbol

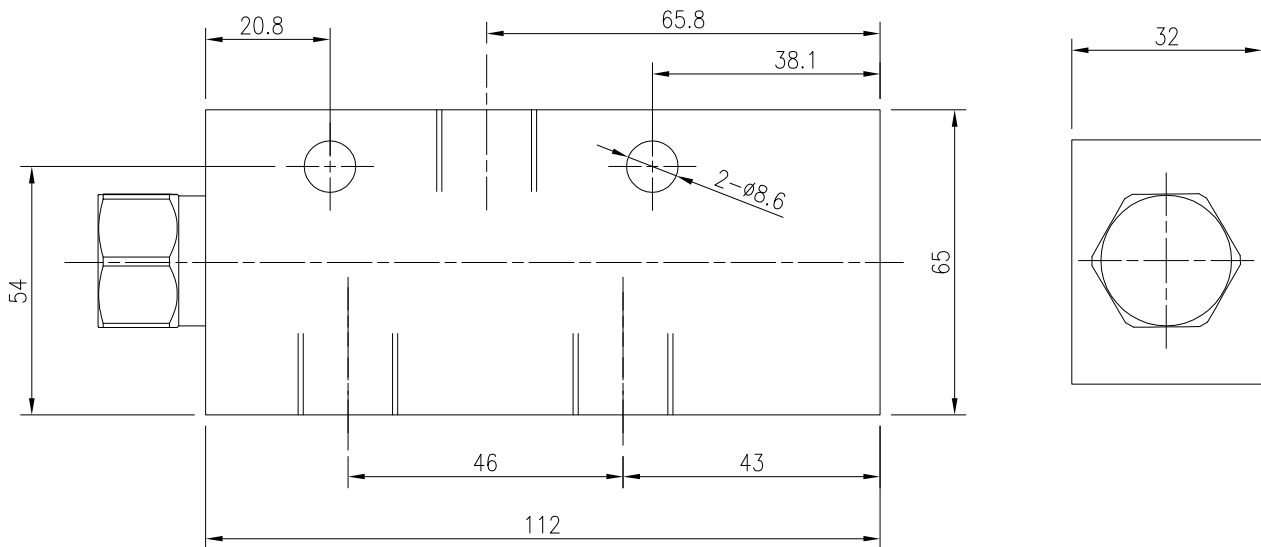


Port:2/3/4/=G3/8

技术参数/Technical Data

- Matching directional valve neutral function A.B-T.
建议应用Y型中位机能的换向阀
- Operating temperature:+40°C~+70°C
工作温度: +40°C~+70°C
- Working medium:ISO VG 10 to 68 according to DIN ISO 3448
工作介质: 符合DIN ISO 3448标准, 范围在ISO VG 10 to 68
- Material: Steel, zinc-plated
阀体材质: 镀锌钢体
For other materials, please consult
如需其他材质请咨询
- Sealing Material: Nitrile Rubber
密封材质: 丁腈橡胶

主要尺寸/Dimension



订货代码/Ordering Code

代号 Ordering Code	先导比例 Pilot Ratio	压力调节范围 Adjustance Pressure Range (bar)	标准设定 Standard Setting (bar)	压力递进 Pressure Increase (bar)/r	流量范围 Flow Range (l/min)	最大压力 Max. Pressure (bar)	阀孔 Cavity	重量 Weight (kg)
853008000					1-34	350	T31-A	2