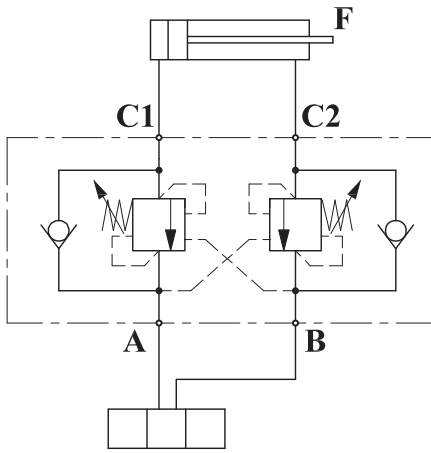


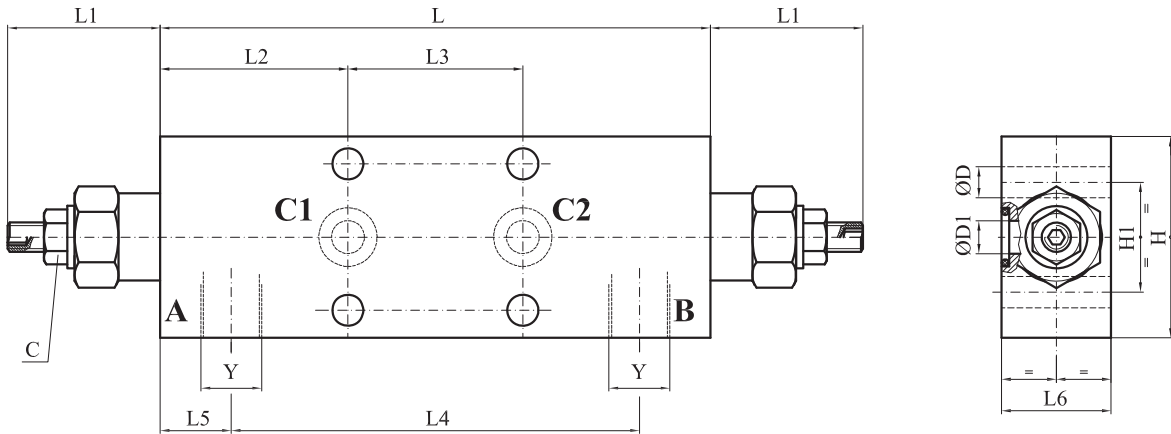
机能符号/Functional Symbol



技术参数/Technical Data

- Matching directional valve neutral function A.B-T.  
建议应用Y型中位机能的换向阀
- Operating temperature: +40°C~+70°C  
工作温度: +40°C~+70°C
- Working medium: ISO VG 10 to 68 according to DIN ISO 3448  
工作介质: 符合DIN ISO 3448标准, 范围在ISO VG 10-68
- Material: Steel, zinc-plated  
阀体材质: 镀锌钢体
- Sealing Material: Nitrile Rubber  
密封材质: 丁腈橡胶

主要尺寸/Dimension



151	~42	51.5	48	112	19.5	30	55	40	HEX13	Ø8.5	Ø9	G3/8	1.7Kg
151	~42	51.5	48	112	19.5	35	65	40	HEX13	Ø8.5	Ø9	G1/2	2.1Kg
L	L1	L2	L3	L4	L5	L6	H	H1	C	D	D1	Y	重量 Weight

订货代码/Ordering Code

代号 Ordering Code	先导比例 Pilot Ratio	压力调节范围 Adjustance Pressure Range (bar)	标准设定 Standard Setting (bar)	压力递进 Pressure Increase (bar)/r	流量范围 Flow Range (l/min)	最大压力 Max. Pressure (bar)	Y	重量 Weight (kg)
04P038101.00	2.7:1	80-350	300	85	5-45	500	G3/8	1.7
04P038102.00	4.3:1	100-350	350	135	5-45	500	G3/8	1.7
04P038103.00	8.8:1	100-350	350	90	5-45	500	G3/8	1.7
04P048101.00	2.7:1	80-350	300	85	10-60	500	G1/2	2.1
04P048102.00	4.3:1	100-350	350	135	10-60	500	G1/2	2.1
04P048103.00	8.8:1	100-350	350	90	10-60	500	G1/2	2.1