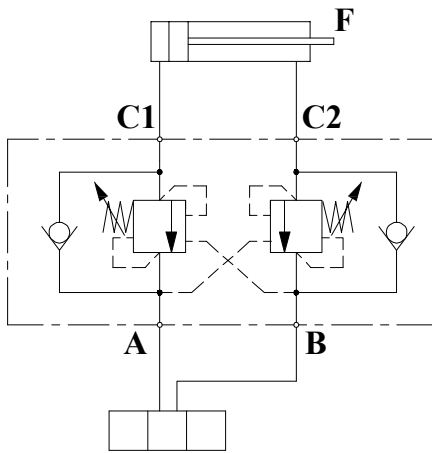


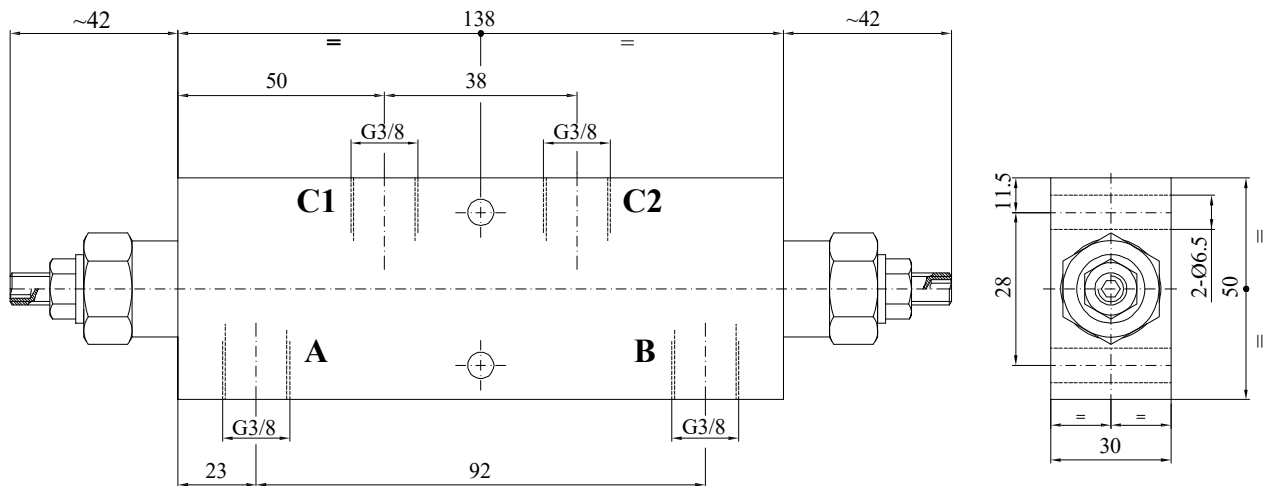
## 机能符号/Functional Symbol



## 技术参数/Technical Data

- Matching directional valve neutral function A.B-T.  
建议应用Y型中位机能的换向阀
- Operating temperature: +40°C~+70°C  
工作温度: +40°C~+70°C
- Working medium: ISO VG 10 to 68 according to DIN ISO 3448  
工作介质: 符合DIN ISO 3448标准, 范围在ISO VG 10 to 68
- Material: Steel, zinc-plated  
阀体材质: 镀锌钢体  
For other materials, please consult  
如需其他材质请咨询
- Sealing Material: Nitrile Rubber  
密封材质: 丁腈橡胶

## 主要尺寸/Dimension



## 订货代码/Ordering Code

代号 Ordering Code	先导比例 Pilot Ratio	压力调节范围 Adjustance Pressure Range (bar)	标准设定 Standard Setting (bar)	压力递进 Pressure Increase (bar)/r	流量范围 Flow Range (l/min)	最大压力 Max. Pressure (bar)	Y	重量 Weight (kg)
04A036122.00	4.1:1	100-350	300	180	1-40	500	G3/8	1.7
04A036123.00	7.0:1	100-350	300	180	1-40	500	G3/8	1.7
04A036124.00	8.8:1	100-350	300	180	1-40	500	G3/8	1.7